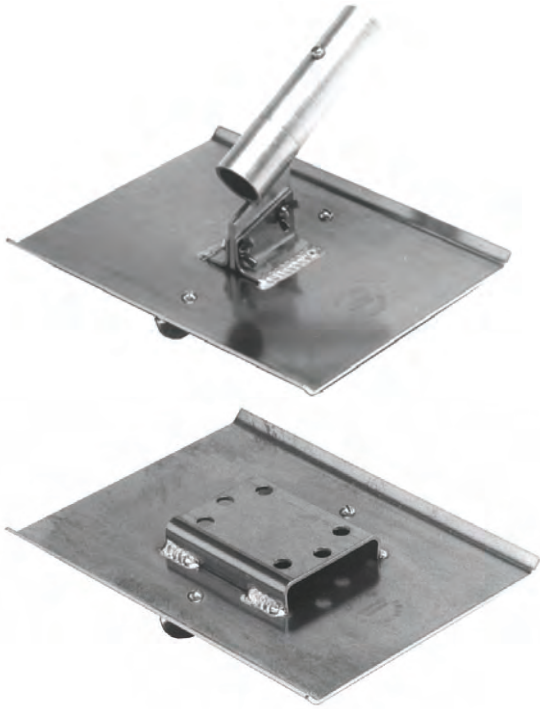


ALUMINUM WALKING GROOVERS

Made from 1/8" thick 6061-T6 hard-rolled tempered aluminum, our walking groovers are great for long reach jobs. Float base is 9" x 12", blade is 9" long, 1-1/8" deep with a 3/8" radius.

- Snap-Lock version fits both 1-3/8" and 1-3/4" handles.
- Threaded version fits all standard threaded handles.
- Universal version has a 6-hole pattern to accept any standard bracket.



**REPLACEABLE
BLADES!**

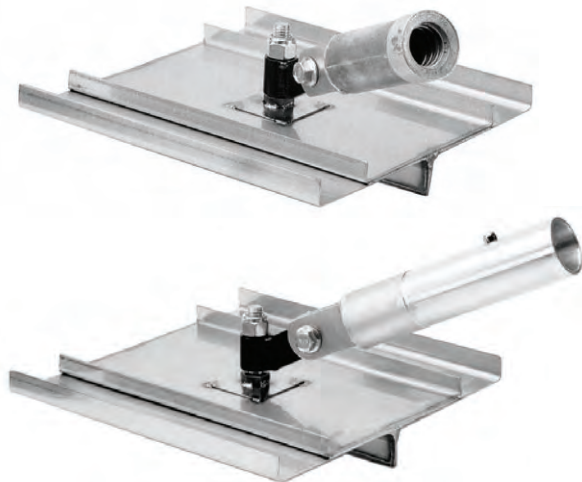


TYPE	PART NO.
Snap-Lock	CWT-20 SLH
Threaded	CWT-20 TH
Universal	CWT-20 UMB

[click to order](#)

STAINLESS WALKING GROOVERS

Made from heavy duty stainless steel, these walking groovers are great for long reach jobs. Float base is 10" x 10" with 3/4" high sides for running down straight edges such as our HAND SCREEDS. Features a multiple-angled swivel head to allow any handle positioning. Blade is 1-1/8" deep with a 3/8" or 1/2" radius. Snap-Lock version fits both 1-3/8" and 1-3/4" handles. Threaded version fits all standard threaded handles.



**ALL WELDED
RIVET FREE
STAINLESS STEEL**

[click to order](#)

TYPE	RADIUS	PART NO.
Snap-Lock	3/8"	CWT-27 SWGSL 038
Snap-Lock	1/2"	CWT-27 SWGSL 050
Threaded	3/8"	CWT-27 SWGTH 038
Threaded	1/2"	CWT-27 SWGTH 050

STAINLESS HAND GROOVERS

Made from heavy duty stainless steel, these groovers are great for smaller jobs and detail work. Float base is 10" x 10" with 3/4" high sides for running down straight edges such as our HAND SCREEDS. Two different widths and two different radii available.



**ALL WELDED
RIVET FREE
STAINLESS STEEL**

[click to order](#)

FLOAT WIDTH	RADIUS	PART NO.
4"	3/8"	CWT-27 SHG04 038
4"	1/2"	CWT-27 SHG04 050
10"	3/8"	CWT-27 SHG10 038
10"	1/2"	CWT-27 SHG10 050