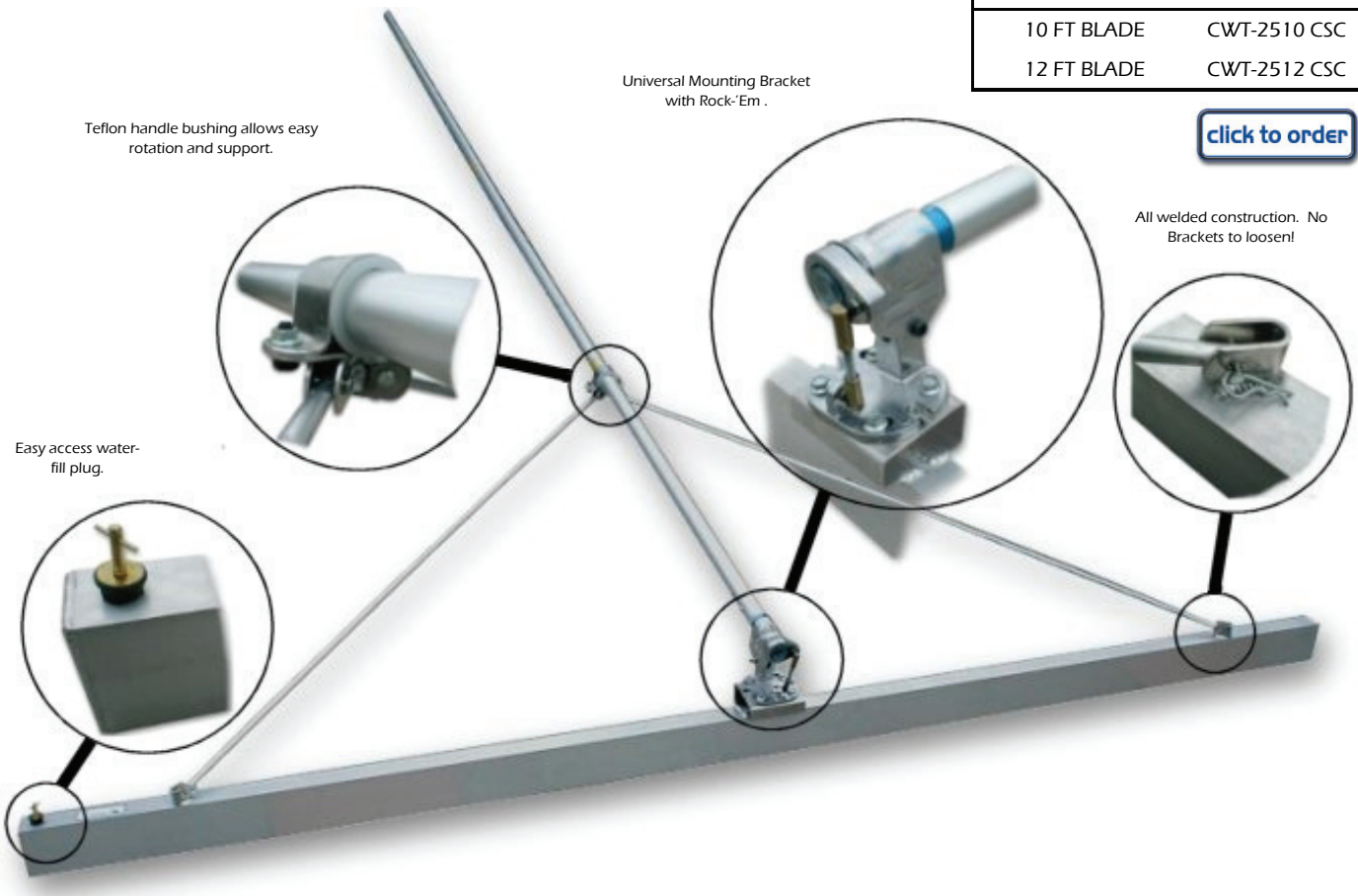


CONCRETE SLAB CUTTER*

Our Concrete Slab Cutter features a full 2" x 4" tempered aluminum alloy blade. It is ideal for all concrete projects where improved flatness is required or desired. This cutter is lightweight enough for easy cross cutting and re-straightening of fresh concrete surfaces. For final re-straightening of concrete surfaces, our ALL WELDED WATER TIGHT BLADE can be weighted with an additional 34 LBS when filled with water. Includes Rock-'Em bracket and (3) six foot snap-lock handles.

SIZE	PART NO.
10 FT BLADE	CWT-2510 CSC
12 FT BLADE	CWT-2512 CSC



Teflon handle bushing allows easy rotation and support.

Universal Mounting Bracket with Rock-'Em.

Easy access water-fill plug.

All welded construction. No Brackets to loosen!

[click to order](#)

WORKS GREAT FOR CURB AND OTHER SHAPING WORK

THE CURB-IT TOOL*

Made from 1" x 2" rectangular tubing with welded end caps. Used for screeding and shaping concrete, this tool has two conveniently placed 1-3/8" x 6" wood handles.

[click to order](#)

SIZE	PART NO.
48"	CWT-33-CIT-48
72"	CWT-33-CIT-72
96"	CWT-33-CIT-96
120"	CWT-33-CIT-120



* MUST BE SHIPPED VIA TRUCK